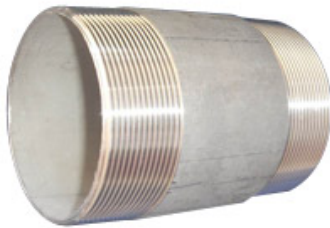
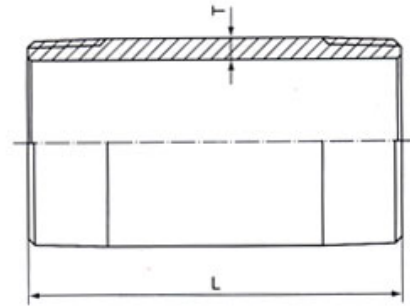


**Barrel Nipple (BN) : SCH 40**



**FEATURES**

- The thread ends conform to ASME B1.20.1(NPT)  
DIN 2999 & BS21  
ISO 228/1 & ISO 7/1
- Dimension conform to ISO 4144, SP114  
EN-10241, JIS
- 150 LBS
- Material conform to AISI 304, 304L, 316, 316L.
- MADE FROM CASTING, WELD PIPE OR SEAMLESS PIPE



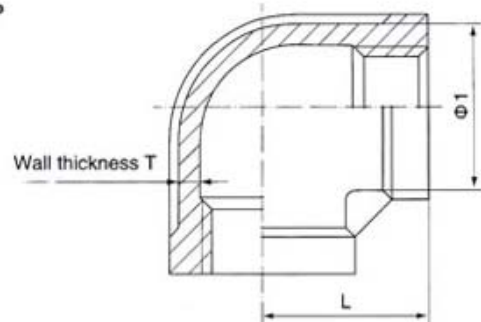
SIZE	1/8	1/4	3/8	1/2	3/4	1	1 1/4	1 1/2	2	2 1/2	3	4
T	2	2.5	2.31	2.77	2.87	3.38	3.56	3.68	3.91	5.16	5.49	6.02
L(mm)	40	40	40	60	60	60	80	80	100	100	120	150
L(in)	1"	1"	1"	1"	1"	1"	1"	1"	1"	1"	1"	1"
	1 1/4"	1 1/4"	1 1/4"	1 1/4"	1 1/4"	1 1/4"	1 1/4"	1 1/4"	1 1/4"	1 1/4"	1 1/4"	1 1/4"
	1 1/2"	1 1/2"	1 1/2"	1 1/2"	1 1/2"	1 1/2"	1 1/2"	1 1/2"	1 1/2"	1 1/2"	1 1/2"	1 1/2"
	2"	2"	2"	2"	2"	2"	2"	2"	2"	2"	2"	2"
	2 1/2"	2 1/2"	2 1/2"	2 1/2"	2 1/2"	2 1/2"	2 1/2"	2 1/2"	2 1/2"	2 1/2"	2 1/2"	2 1/2"
	3"	3"	3"	3"	3"	3"	3"	3"	3"	3"	3"	3"
	4"	4"	4"	4"	4"	4"	4"	4"	4"	4"	4"	4"
	5"	5"	5"	5"	5"	5"	5"	5"	5"	5"	5"	5"
6"	6"	6"	6"	6"	6"	6"	6"	6"	6"	6"	6"	
8"	8"	8"	8"	8"	8"	8"	8"	8"	8"	8"	8"	8"

**90 DEG. ELBOW**



**FEATURES**

- The thread ends conform to ASME B1.20.1(NPT)  
DIN 2999 & BS21  
ISO 228/1 & ISO 7/1
- Dimension conform to ISO 4144  
SP114  
EN-10241  
JIS
- 150 LBS
- Material conform to AISI 304, 304L, 316, 316L.

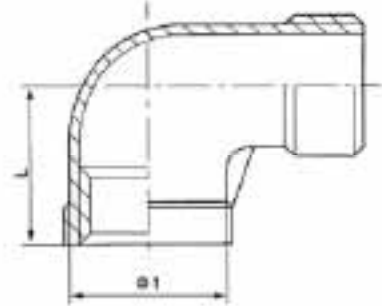


SIZE	1/8	1/4	3/8	1/2	3/4	1	1 1/4	1 1/2	2	2 1/2	3	4
Φ1	13	16	20	24.5	30	37.5	46.5	53	65.5	82	95.5	121.5
L	17	19	23	27	32	38	45	48	57	69	78	96
T	2.5	2.5	2.8	1.65	1.75	2	2.25	2.5	2.85	3.25	3.75	4.25

**90 DEG. STREET ELBOW**



- FEATURES**
- The thread ends conform to  
ASME B1.20.1(NPT)  
DIN 2999 & BS21  
ISO 228/1 & ISO 7/1
  - Dimension conform to  
ISO 4144  
SP114  
EN-10241  
JIS
  - 150 LBS
  - Material conform to  
AISI 304, 304L, 316, 316L



SIZE	1/8	1/4	3/8	1/2	3/4	1	1 1/4	1 1/2	2	2 1/2	3	4
Φ1	13	16	20	24.5	30	37.5	46.5	53	65.5	82	95.5	121.5
L	17	19	23	27	32	38	45	48	57	69	78	97

**45 DEG. ELBOW**



- FEATURES**
- The thread ends conform to  
ASME B1.20.1(NPT)  
DIN 2999 & BS21  
ISO 228/1 & ISO 7/1
  - Dimension conform to  
ISO 4144  
SP114  
EN-10241  
JIS
  - 150 LBS
  - Material conform to  
AISI 304, 304L, 316, 316L



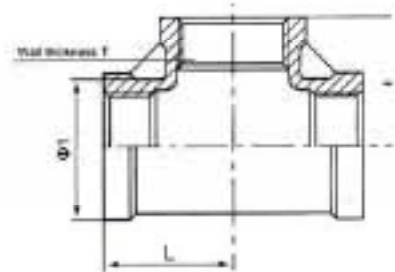
SIZE	1/8	1/4	3/8	1/2	3/4	1	1 1/4	1 1/2	2	2 1/2	3	4
Φ1	11	16	20	24.5	30	37.5	46.5	53	65.5	82	95.5	121.5
L	16	17	19	21	25	29	33	37	42	49	54	64
T	2.5	2.5	2.8	1.65	1.75	2.0	2.25	2.5	2.85	3.25	3.75	4.25

**TEE**



**FEATURES**

- The thread ends conform to ASME B1.20.1(NPT), DIN 2999 & BS21, ISO 228/1 & ISO 7/1
- Dimension conform to ISO 4144, SP114, EN-10241, JIS
- 150 LBS
- Material conform to AISI 304, 304L, 316, 316L.



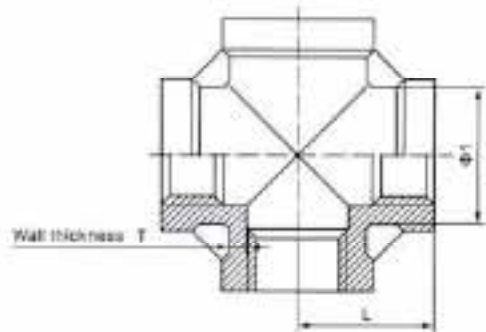
SIZE	1/8	1/4	3/8	1/2	3/4	1	1 1/4	1 1/2	2	2 1/2	3	4
Φ I	13	16.5	20	24.5	30	37.5	46.5	53	65.5	82	95.5	121.5
L	17	19	23	27	32	38	45	48	57	69	78	96
T	2.5	2.5	2.8	1.65	1.75	2	2.25	2.5	2.85	3.25	3.75	4.25

**CROSS**



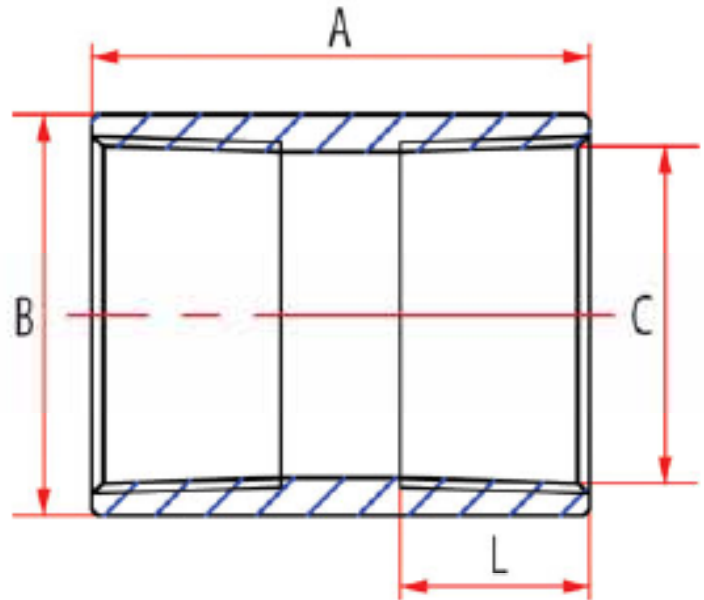
**FEATURES**

- The thread ends conform to ASME B1.20.1(NPT), DIN 2999 & BS21, ISO 228/1 & ISO 7/1
- Dimension conform to ISO 4144, SP114, EN-10241, JIS
- 150 LBS
- Material conform to AISI 304, 304L, 316, 316L.



SIZE	1/8	1/4	3/8	1/2	3/4	1	1 1/4	1 1/2	2	2 1/2	3	4
Φ I	13	16	20	24.5	30	37.5	46.5	53	65.5	82	95.5	121.5
L	17	19	23	27	32	38	45	48	57	69	78	96
T	2.5	2.5	2.8	1.65	1.75	2	2.25	2.5	2.85	3.25	3.75	4.25

**O.D. Machine Coupling**



**Unit: Inch**

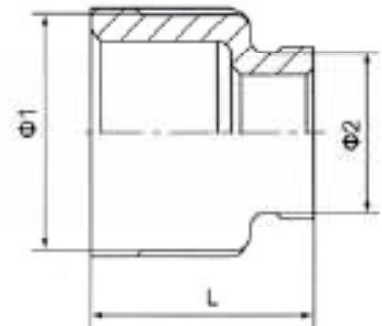
<b>SIZE</b>	<b>A</b>	<b>B</b>	<b>C</b>	<b>L</b>
<b>1/8"</b>	<b>0.83</b>	<b>0.57</b>	<b>0.34</b>	<b>0.26</b>
<b>1/4"</b>	<b>0.97</b>	<b>0.69</b>	<b>0.45</b>	<b>0.4</b>
<b>3/8"</b>	<b>1.11</b>	<b>0.83</b>	<b>0.58</b>	<b>0.41</b>
<b>1/2"</b>	<b>1.35</b>	<b>1.02</b>	<b>0.72</b>	<b>0.53</b>
<b>3/4"</b>	<b>1.48</b>	<b>1.2</b>	<b>0.93</b>	<b>0.54</b>
<b>1"</b>	<b>1.67</b>	<b>1.5</b>	<b>1.17</b>	<b>0.68</b>
<b>1 1/4"</b>	<b>1.9</b>	<b>1.06</b>	<b>1.51</b>	<b>0.7</b>
<b>1 1/2"</b>	<b>2.03</b>	<b>2.08</b>	<b>1.75</b>	<b>0.72</b>
<b>2"</b>	<b>2.2</b>	<b>2.67</b>	<b>2.23</b>	<b>0.76</b>
<b>2 1/2"</b>	<b>2.6</b>	<b>3.09</b>	<b>2.67</b>	<b>1.14</b>
<b>3"</b>	<b>2.8</b>	<b>3.82</b>	<b>3.29</b>	<b>1.2</b>
<b>4"</b>	<b>3.23</b>	<b>4.88</b>	<b>4.29</b>	<b>1.3</b>

**Red. Socket Banded (RSB) : (Red. Coupling)**



**FEATURES**

- The thread ends conform to  
ASME B1.20.1(NPT)  
DIN 2999 & BS21  
ISO 228/1 & ISO 7/1
- Dimension conform to  
ISO 4144, SP114  
EN-10241, JIS
- 150 LBS
- Material conform to  
AISI 304, 304L, 316, 316L.



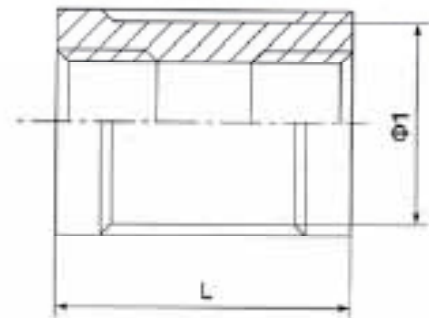
SIZE	1/4	3/8	1/2		3/4		1		1 1/4	
	1/8	1/4	1/4	3/8	3/8	1/2	1/2	3/4	3/4	1
Φ1	16.5	20	25.5	25.5	31	31	38	38	47	47
Φ2	13	16.5	16.5	20	20	24.7	24.7	31	31	38
L	25	26	34	34	36	36	42	42	48	48

**Socket Banded (SB) : (Coupling)**



**FEATURES**

- The thread ends conform to  
ASME B1.20.1(NPT)  
DIN 2999 & BS21  
ISO 228/1 & ISO 7/1
- Dimension conform to  
ISO 4144, SP114  
EN-10241, JIS
- 150 LBS
- Material conform to  
AISI 304, 304L, 316, 316L.

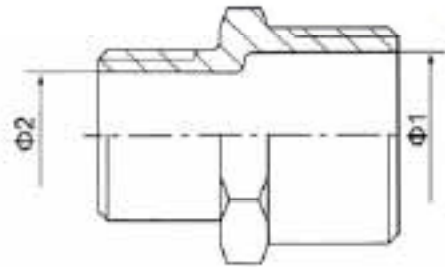


SIZE	1/8	1/4	3/8	1/2	3/4	1	1 1/4	1 1/2	2	2 1/2	3	4
Φ1	13	16	20	24.5	30	37.5	46.5	53	65.5	82	95.5	121.5
L	17	24	25	32	35	41	45	45	54	63	69	81

**Red. Hex. Nipple(RHN) 变径六角外牙接头**



- FEATURES**
- The thread ends conform to  
ASME B1.20.1(NPT)  
DIN 2999 & BS21  
ISO 228/1 & ISO 7/1
  - Dimension conform to  
ISO 4144, SP114  
EN-10241, JIS
  - 150 LBS
  - Material conform to  
AISI 304, 304L, 316, 316L

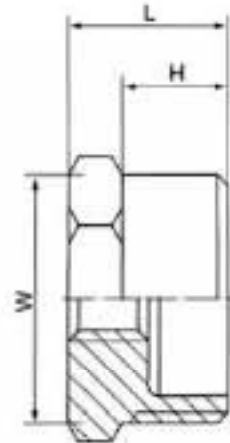


SIZE	1/4	3/8	1/2		3/4		1	1 1/4		
	1/8	1/4	1/4	3/8	3/8	1/2	1/2	3/4	3/4	1
Φ1	8	11.5	15	15	20.5	20.5	26	26	34.5	34.5
Φ2	5.5	8	8	11.5	11.5	15	15	20.5	20.5	26

**HEX BUSHING**



- FEATURES**
- The thread ends conform to  
ASME B1.20.1(NPT)  
DIN 2999 & BS21  
ISO 228/1 & ISO 7/1
  - Dimension conform to  
ISO 4144, SP114  
EN-10241, JIS
  - 150 LBS
  - Material conform to  
AISI 304, 304L, 316, 316L



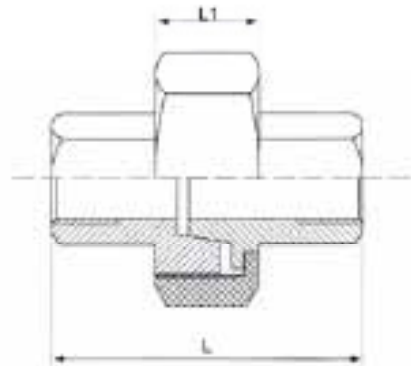
SIZE	1/4	3/8	1/2		3/4		1	1 1/4		
	1/8	1/4	1/4	3/8	3/8	1/2	1/2	3/4	3/4	1
H	11.5	12	14.5	14.5	15.5	15.5	17.5	17.5	20	20
L	16	16.5	20	20	21	21	24	24	27	27
W	14	18	22	22	27.5	27.5	34.5	34.5	43	43

**Union Conical F/F (CU-Z-F/F) 内牙由任-锥面**



**FEATURES**

- The thread ends conform to  
ASME B1.20.1(NPT)  
DIN 2999 & BS21  
ISO 228/1 & ISO 7/1
- Dimension conform to  
ISO 4144, SP114  
EN-10241, JIS
- 150 LBS
- Material conform to  
AISI 304, 304L, 316, 316L



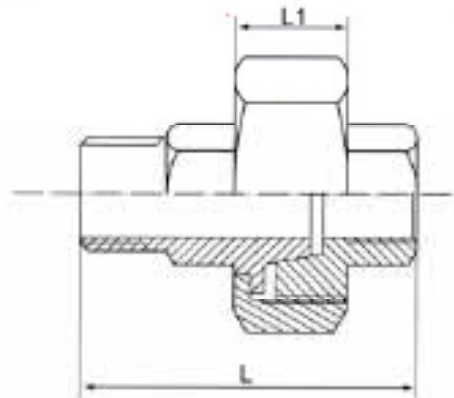
SIZE	1/8	1/4	3/8	1/2	3/4	1	1 1/4	1 1/2	2	2 1/2	3	4
L1	13	13.5	15	16	17	20	22	24	27	29.5	31	34
L	30	33.5	36.5	39.5	42.5	50	54	58	65	75	83	110

**Union Conical M/F (CU-Z-MF) 内外牙由任-锥面**



**FEATURES**

- The thread ends conform to  
ASME B1.20.1(NPT)  
DIN 2999 & BS21  
ISO 228/1 & ISO 7/1
- Dimension conform to  
ISO 4144, SP114  
EN-10241, JIS
- 150 LBS
- Material conform to  
AISI 304, 304L, 316, 316L

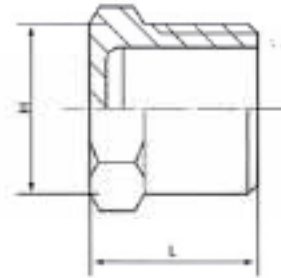


SIZE	1/8	1/4	3/8	1/2	3/4	1	1 1/4	1 1/2	2	2 1/2	3	4
L1	13	13.5	15	16	17	20	22	24	27	29.5	31	34
L	38	44	47.5	54	58	68	74.5	78.5	90	102	113	146

**Hex. Plug(HP) 六角接头**



- FEATURES**
- The thread ends conform to  
ASME B1.20.1(NPT)  
DIN 2999 & BS21  
ISO 228/1 & ISO 7/1
  - Dimension conform to  
ISO 4144, SP114  
EN-10241, JIS
  - 150 LBS
  - Material conform to  
AISI 304, 304L, 316, 316L.

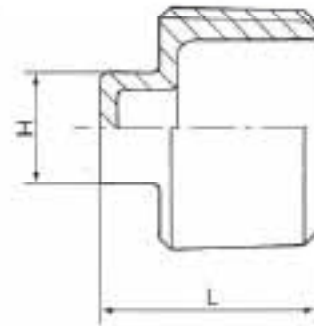


SIZE	1/8	1/4	3/8	1/2	3/4	1	1 1/4	1 1/2	2	2 1/2	3	4
H	11	15	18	22	28	35	43.5	49.5	62	77.5	90.5	117
L	12	14.5	16	19.5	21	24	27	27	32	34	37.5	44

**SQUARE PLUG**



- FEATURES**
- The thread ends conform to  
ASME B1.20.1(NPT)  
DIN 2999 & BS21  
ISO 228/1 & ISO 7/1
  - Dimension conform to  
ISO 4144, SP114  
EN-10241, JIS
  - 150 LBS
  - Material conform to  
AISI 304, 304L, 316, 316L.



SIZE	1/8	1/4	3/8	1/2	3/4	1	1 1/4	1 1/2	2	2 1/2	3	4
L	13	15.5	16	20.5	21.5	25	27.5	28.5	33	37	42	48
H	6	7	8	19	12	14	16	20	22	28	32	40

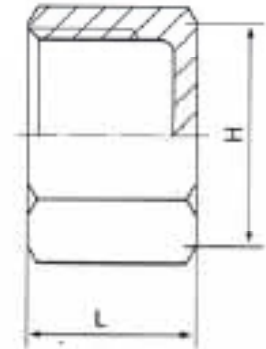


**Hex. Cap(HCB) 六角管帽**



**FEATURES**

- The thread ends conform to  
ASME B1.20.1(NPT)  
DIN 2999 & BS21  
ISO 228/1 & ISO 7/1
- Dimension conform to  
ISO 4144, SP114  
EN-10241, JIS
- 150 LBS
- Material conform to  
AISI 304, 304L, 316, 316L



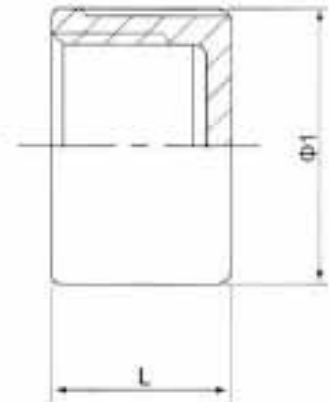
SIZE	1/8	1/4	3/8	1/2	3/4	1	1 1/4	1 1/2	2	2 1/2	3	4
H	13.5	17	20.5	25	31	38	47	53	66	82	95.5	121.5
L	13.5	17	17.5	21	22.5	26	29	29	33.5	38.5	42	48.5

**Round Cap(CB) 圓管帽**



**FEATURES**

- The thread ends conform to  
ASME B1.20.1(NPT)  
DIN 2999 & BS21  
ISO 228/1 & ISO 7/1
- Dimension conform to  
ISO 4144, SP114  
EN-10241, JIS
- 150 LBS
- Material conform to  
AISI 304, 304L, 316, 316L



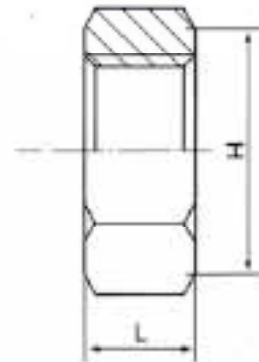
SIZE	1/8	1/4	3/8	1/2	3/4	1	1 1/4	1 1/2	2	2 1/2	3	4
φ1	13.7	16.7	20.7	25.2	30.7	38.2	47.5	54	66.5	83.5	97	123
L	13.5	17	17.5	21	22.5	26	29	29	33.5	38.5	42	48.5

Hex. Nut(LN) 六角螺母 (LOCKNUT)



**FEATURES**

- The thread ends conform to  
ASME B1.20.1(NPT)  
DIN 2999 & BS21  
ISO 228/1 & ISO 7/1
- Dimension conform to  
ISO 4144, SP114  
EN-10241, JIS
- 150 LBS
- Material conform to  
ASTM A351-CF8M/1.4408  
ASTM A351-CF8/1.4401  
ASTM A216-WCB  
AISI 304, 304L, 316, 316L, 301, 430 ETC



SIZE	1/8	1/4	3/8	1/2	3/4	1	1 1/4	1 1/2	2	2 1/2	3	4
L	5	6	6	7	7	9	11	11	13	15	17	20
H	15	18	22	27	32	40	48	55	68	85	100	125